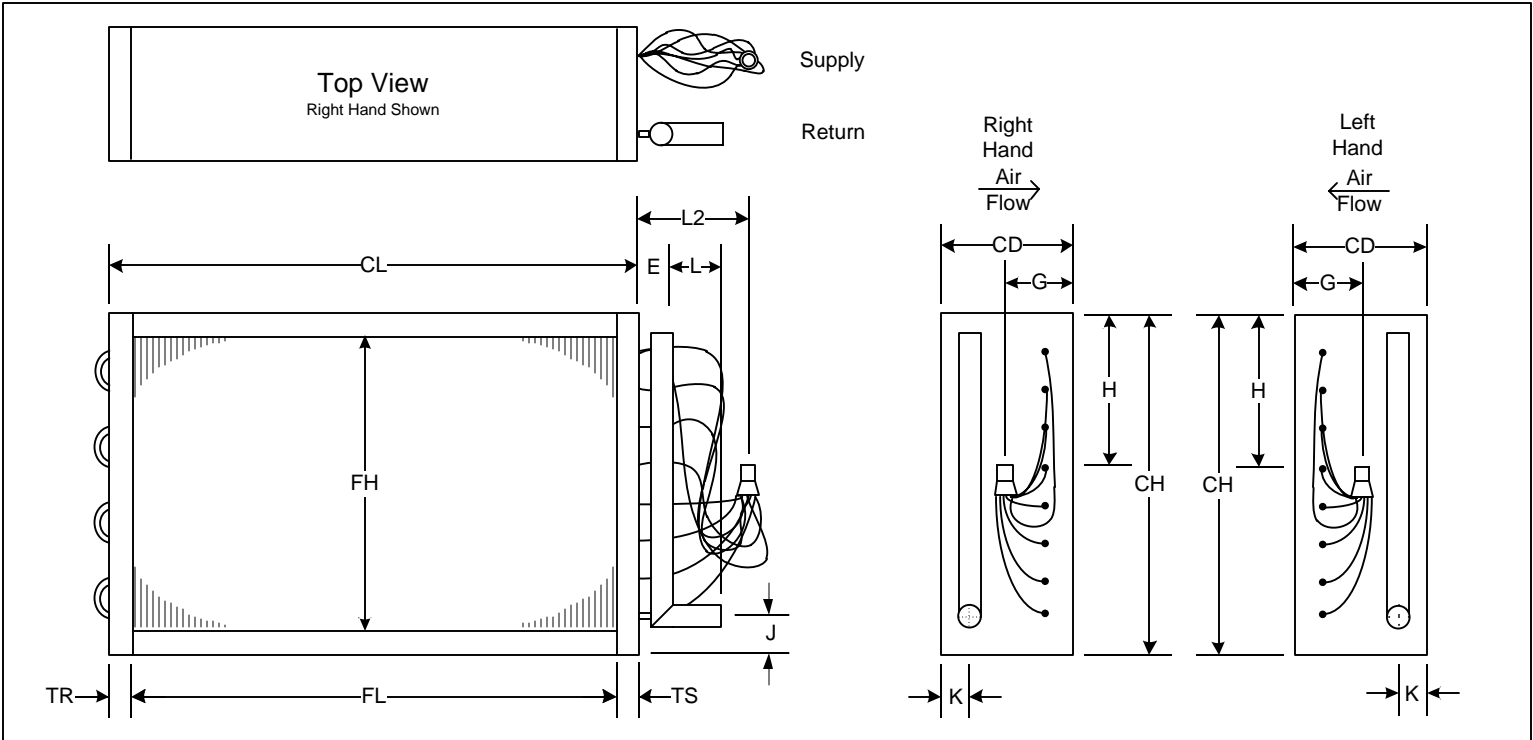




Tenuta & Co



FH	FL	CH	CL	CD	E	G	H	J	K	L	L2	TS	TR

<p>Connection Sizes: Supply _____ Return _____</p> <p>Connection Type: <input type="checkbox"/> OD Sweat <input type="checkbox"/> MPT <input type="checkbox"/> FPT</p> <p>Connection Material: <input type="checkbox"/> Copper <input type="checkbox"/> Brass</p> <p>No. of Distributors _____ # of Distributor Tubes: _____ Distributor Model# _____</p>	<p>Tubes High _____</p> <p>Tube Diameter _____</p> <p>Tube Wall Thickness: <input type="checkbox"/> 0.020" <input type="checkbox"/> 0.025" <input type="checkbox"/> 0.035"</p> <p>Tube Material: <input type="checkbox"/> Copper <input type="checkbox"/> 90/10 Copper/Nickel <input type="checkbox"/> 304 Stainless Steel</p> <p>Casing Gauge _____ <input type="checkbox"/> Galvanized Steel <input type="checkbox"/> 304 Stainless Steel</p>	<p>Fins Per Inch _____</p> <p>Fin Type: <input type="checkbox"/> Turbex <input type="checkbox"/> Flat</p> <p>Fin Thickness: <input type="checkbox"/> 0.008" <input type="checkbox"/> 0.010" <input type="checkbox"/> 0.016"</p> <p>Fin Material: <input type="checkbox"/> Aluminum <input type="checkbox"/> Copper</p> <p>Refrigerant Type _____ Coil Cooling Tonnage _____</p>	<p>Rows Deep _____</p> <p>Number of Tubes Entering Header _____</p> <p>Air Flow: <input type="checkbox"/> Horizontal <input type="checkbox"/> Vertical</p> <p>Tube Arrangement: <input type="checkbox"/> Horizontal <input type="checkbox"/> Vertical</p> <p>Coil Hand: <input type="checkbox"/> Left Hand <input type="checkbox"/> Right Hand</p>
---	---	---	--

Choose Coil Hand

<p>Left Hand</p> <p>Air Flow</p>	<p>Right Hand</p> <p>Air Flow</p>
----------------------------------	-----------------------------------

Choose the appropriate Control Circuiting Arrangement

Single Feed	Face Control	Interlaced Circuiting	Row Control

Notes:
